



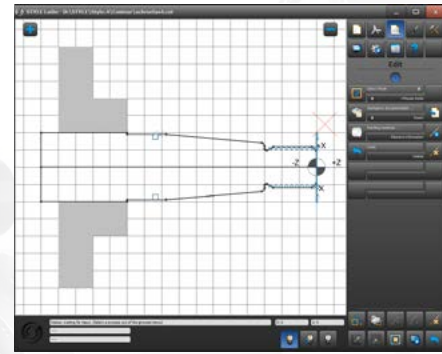
Slantbed lathe

The best lathe for the demanding specialist

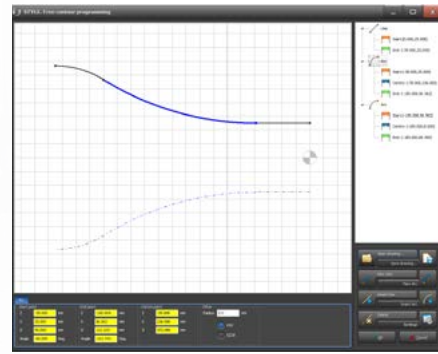
Machinebuilders since 1991

Slantbed lathe

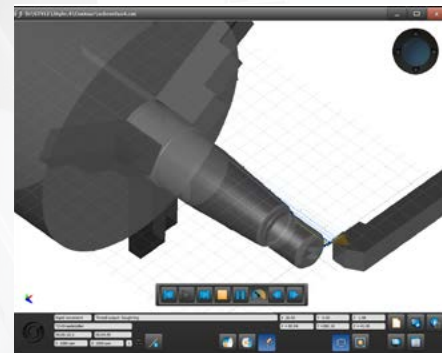
The best lathe for the demanding specialist



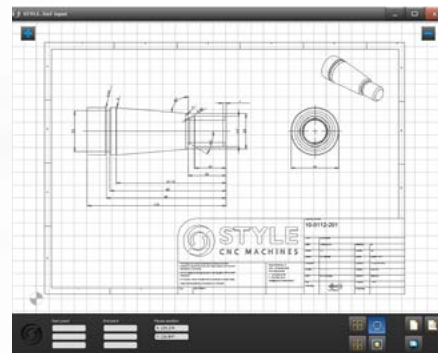
Easy and fast programming



Free contour drawing with a minimum of values



3D simulation for testing and time calculation



DxF import from CAD software



STYLE SB 250



STYLE SB 300



STYLE SB 500

Easy, smart and simple programming

- Extensive CNC functionality
- 3D simulation program
- Graphic interface on 19" touchscreen
- DxF files import
- Free contour drawing with a minimum of values
- ISO G-codes import, edit and execute
- Easy to learn and use

- Shortcuts and key codes for faster working
- Execute of large G-code programs
- Program with an extensive intuitive control without any G-code knowledge
- Thread repair and prototyping
- Desktop preparation version
- Repeated output

The best lathe for the demanding specialist

- The ideal solution for a wide diversity of processes
- The optimal design frame and accurate movement confirm the right choice
- 45 degree frame from one single iron cast mold for high performance
- Design and build by true machine builders
- Dutch Design and production
- Wide aligned guides offer a steady support for the cross-slide
- Equipped with the easy STYLE Control
- Optional equipped with other control
- Modern CNC machine for productivity, flexibility and a easy control
- Designed for heavy and interrupted turning

Machinebuilders since 1991

STYLE SB250 - 500

Technical specifications

Machine		SB 250	SB 300	SB 500
Maximum swing	mm	420	505	612
Swing over carriage cover	mm	330	318	390 (700) / 420 (1200)
Maximum turned diameter	mm	200	350	500
Maximum turned length	mm	550	570 / 1000	700 / 1200
Carriage inclination	°	45	45	30
Main spindle				
Spindle motor power (S6)	kW	11 / 15	11 / 15	15 / 18.5 (18.5 / 22)
Maximum spindle speed	rpm	6000 (4800)	4500 (6000 / 4000 / 4500)	3500 (2700 / 2500)
Spindle taper		A2-5 (A2-6)	A2-6 (A2-5 / A2-8 / A2-8)	A2-8 (A2-11 / A2-11)
Spindle bore	ø mm	56 (62)	62 (56 / 76 / 86)	86 (101 / 116)
Hole trough draw bar	ø mm	44 (52)	52 (44 / 65 / 75)	75 (90 / 105)
Hydraulic chuck diameter	ø mm	170 (200)	200 (160 / 250 / 250)	250 (300 / 380)
X- and Z-axis				
Rapid movement X / Z	m/min	12 / 20	20 / 20	20 / 24
Feed rate	m/min	10	10	10
X / Z axis slide way configuration		Linear	Linear / Box	Box
Tailstock				
Quill	ø mm	75	75	85
Quill stroke	mm	100	80	120
Quill taper	MT	4	4	4
Turret system				
Tool change type		Servo	Servo / Hydraulic	Servo / Hydraulic
Type tool taper		BOT / VDI	BOT / VDI	BOT / VDI
Size		30	30 / 40	40
Number of tool stations	#	8 / 10	8 / 10 / 12	12
Turning tool shank dimensions	mm	20	20	25
Maximum boring bar diameter	ø mm	32	32	40
General				
Weight	kg	3800	4300 / 4800	5500 / 6000
Machine dimensions (l/b/h)	m	3.0 × 1.7 × 1.8 3.6 × 1.7 × 1.9	2.9 × 1.6 × 1.7 3.7 × 1.6 × 1.7	3.0 × 1.8 × 1.8 3.6 × 1.8 × 1.8

STYLE CNC Machines BV reserves the right to alter specifications without prior notice © 2017 STYLE CNC Machines BV



STYLE CNC Machines NL

Nijverheidsweg 15
3751 LP Bunschoten, The Netherlands
info@stylecncmachines.com
+31 (0)33 - 20 525 00



STYLE CNC Machines CZ

Stanovice 37
544 01 Dvůr Králové n. L., Czech Republic
info@stylecncmachines.cz
+420 499 421 713



STYLE CNC Machines PL

ul. Zuzanny 34
41-219 Sosnowiec, Poland
info@stylecncmachines.pl
+48 883 444 723



STYLE CNC Machines BE

Vlierstraat 5
B-8790 Waregem, Belgium
info@stylecncmachines.be
+32 497 322 109

Correspondence
PO box 136
3750 GC Bunschoten
Holland

Production and showroom
Nijverheidsweg 15
3751 LP Bunschoten
Holland

T +31 33 - 205 25 00
E info@stylecncmachines.com
I www.stylecncmachines.com